



159 Ort Lane
Merlin, OR, US 97532
Phone: + 1 541 471 6256
Fax: + 1 541 471 6251
www.linxtechnologies.com

Feb 26, 2018

To: All customers using the ANT-DB1-LP-RM-01-N Antenna

Re: Product Change Notice

Dear customer,

Linx Technologies is announcing a change to the mounting hardware for the ANT-DB1-LP-RM-01-N antenna.

The product is mechanically identical to, and offers equivalent electrical performance, as the previous version of the product. The manufacturing change made is the addition of four slots equally spaced around the mounting holes to provide additional mounting options.

We are committed to working closely with our customers during the transition to address any questions or concerns. Please do not hesitate to contact us if you have any questions regarding this matter.

Product Change Notice for ANT-DB1-LP-RM-01-N

PCN #: LPCN-180226-1

Publish Date: Feb 26, 2018

Type of Change

Mounting hardware change for ANT-DB1-LP-RM-01-N

Products Affected

- ANT-DB1-LP-RM-01-N

Description of Change

The addition of slots to the mounting holes of the ANT-DB1-LP-RN-01-N antenna hardware has been implemented. The added slots in the mounting hardware are illustrated in Figure 2 below.

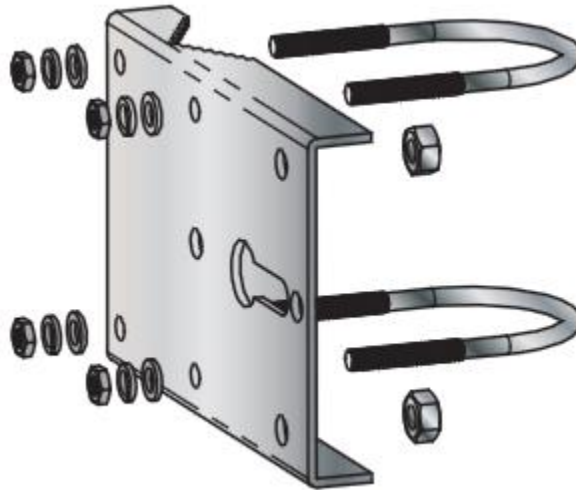


Figure 1: ANT-DB1-LP-RM-01-N mounting hardware without slots

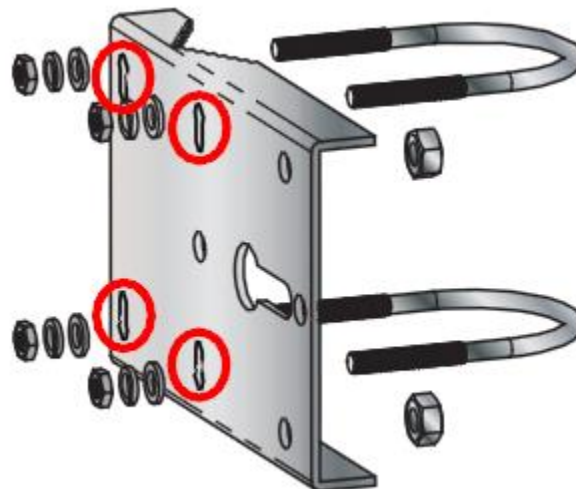


Figure 2: ANT-DB1-LP-RM-01-N mounting hardware with added slots



159 Ort Lane
Merlin, OR, US 97532
Phone: + 1 541 471 6256
Fax: + 1 541 471 6251
www.linxtechnologies.com

Reason for Change

Addition of mounting options for antenna

Effect of Change

Form: Slots added to mounting holes

Fit: Addition mounting options

Function: No change

Quality: No change

Anticipated First Ship Date

February 2018

Qualification Data

Qualification plan specifics are not for general release. Please contact Linx directly for additional information.

Last Time Buy Date

No formal last time buy date is established. Product with slots added to mounting holes will be supplied as existing inventory depletes.