



159 Ort Lane
Merlin, OR, US 97532
Phone: + 1 541 471 6256
Fax: + 1 541 471 6251
www.linxtechnologies.com

October 23, 2020

To: All customers using the CONSMA011-R178

Re: Product Change Notice

Dear customer,

Linx Technologies is announcing a change in manufacturing for the CONSMA011-R178.

The current product offers equivalent electrical and mechanical performance as the previous version of the product. The manufacturing change is the addition of a knurled base. Additionally, the length of heat shrink provided may also vary but will always be sufficient to ensure product performance.

We are committed to working closely with our customers during the transition to address any questions or concerns.

Product Change Notice for CONSMA011-R178

PCN #: LPCN-201023-1

Publish Date: October 23, 2020

Type of Change

Manufacturing change for CONSMA011-R178

Products Affected

- CONSMA011-R178

Description of Change

The addition of a knurled base. This change is illustrated in Figure 2 below. Additionally, the heat shrink length may vary from 14 mm to 23 mm, which is sufficient to ensure the performance of the product.

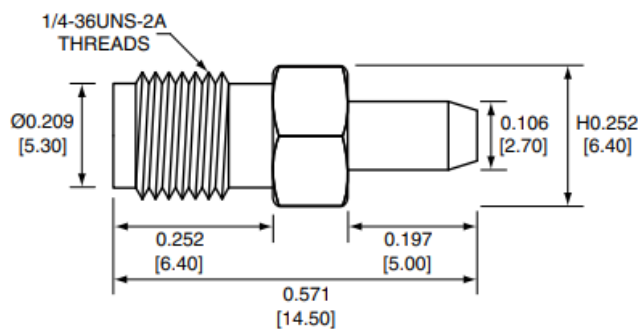


Figure 1: CONSMA011-R178 without knurled base

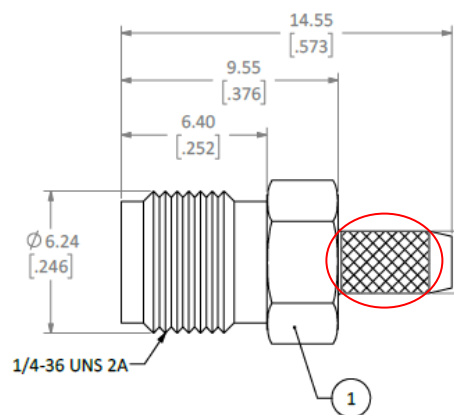


Figure 2: CONSMA011-R178 with knurled base



159 Ort Lane
Merlin, OR, US 97532
Phone: + 1 541 471 6256
Fax: + 1 541 471 6251
www.linxtechnologies.com

Reason for Change

Product improvement

Effect of Change

Form: Addition of knurled base, varying heat shrink length

Fit: No change

Function: No change

Quality: No change

Anticipated First Ship Date

Aug 2020

Qualification Data

Qualification plan specifics are not for general release. Please contact Linx directly for additional information or assistance.

Last Time Buy Date

No formal last time buy date is established. Product with knurled base will be supplied as existing inventory depletes.