



159 Ort Lane
Merlin, OR, US 97532
Phone: + 1 541 471 6256
Fax: + 1 541 471 6251
www.linxtechnologies.com

March 29, 2013

To: All customers using the 916 MHz MHW Antenna

Re: Product change notice

Dear customer,

Linx Technologies is announcing a design change to the MHW family of antennas. This change is being implemented to improve the product quality and manufacturability. The electrical performance of the antenna is similar between the existing design and the new design. There are small physical changes in the design, as outlined in the following pages.

We are committed to working closely with our customers regarding this change. Please contact Linx Sales or Customer Service should you have any questions or concerns.

Product Change Notice for ANT-916-MHW-xxx-y

PCN #: LPCN-130329-3

Publish Date: March 29, 2013

Type of Change

Change in product construction, form and fit

Products Affected

- ANT-916-MHW-SMA-S
- ANT-916-MHW-RPS-S
- ANT-916-MHW-SMA-L
- ANT-916-MHW-RPS-L

Description of Change

Change in the physical form of the antenna and the internal element connection components to improve manufacturability and the final product construction quality

Reason for Change

Production yield improvement

Effect of Change

Form: See Figure 1 below

Fit: See Figure 1 below

Function: No change

Gain plot of representative samples show similar gain performance

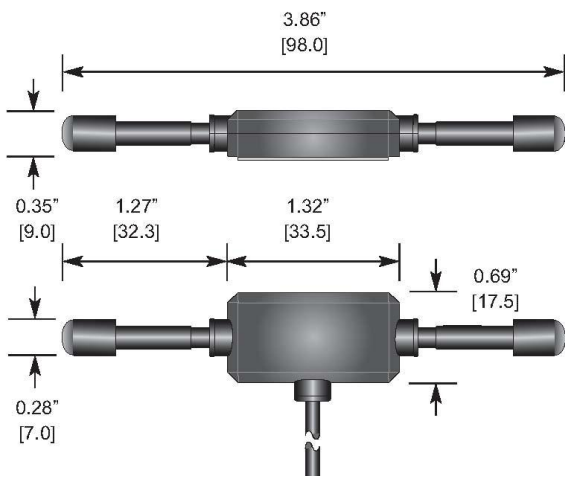


Figure 1a: Form and Fit comparison – Existing Design

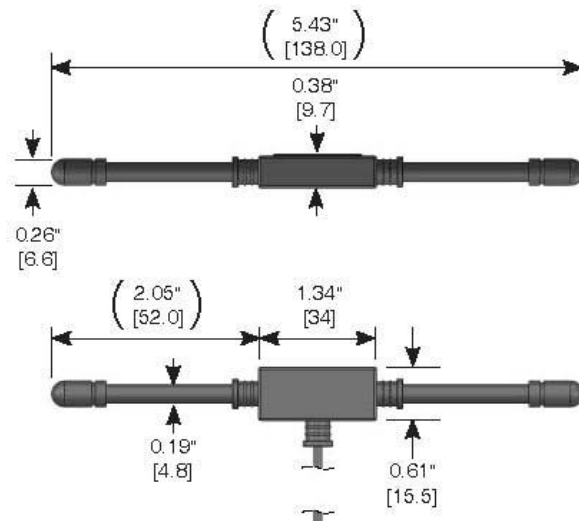


Figure 1b: Form and Fit comparison – New Design

Anticipated First Ship Date

June 2013

Qualification Data

VSWR and gain performance of the existing and new design remain similar, both at the designed center frequency and the point of best VSWR on the surface used in the gain test chamber.

ANT-916-MHW-xxx-y		Gain [dBi] 916 MHz	
		Average	Maximum
Existing Design	XZ Plane	-0.7	2.2
	YZ Plane	-2.7	4.3
	XY Plane	-3.5	0
New Design	XZ Plane	0.7	4
	YZ Plane	-1.5	5.4
	XY Plane	-2.4	1.1

Last Time Buy Date

No formal last time buy date is established.