

HumPRC™ Series Master Development System

Range Test Quick Start Reference



1 Remove Contents



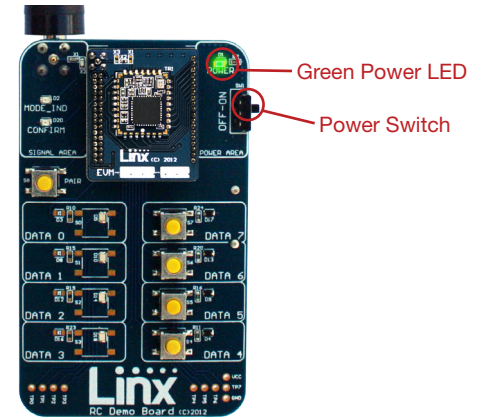
Remove the RC Demo boards, antennas and batteries. Confirm that the HumPRC™ carrier boards are attached to the RC Demo boards.

2 Set Up Boards



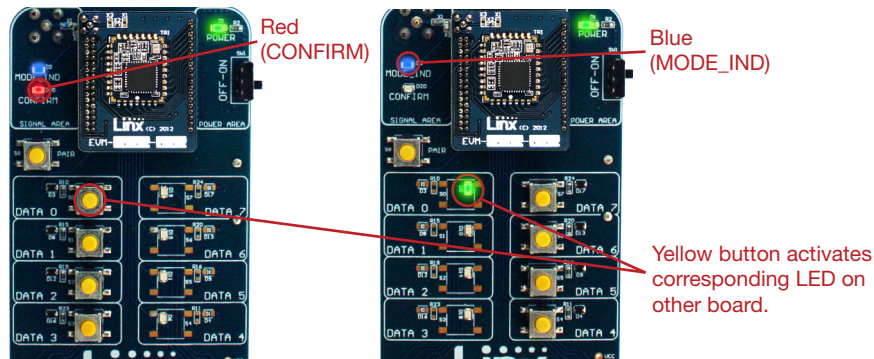
Install four batteries and one antenna on each board.

3 Power On



Move power switch to the ON position. Confirm that the green power LED turns on.

4 Activate



Push yellow button to activate an LED on the other demo board.

Note: The blue MODE_IND LED lights up on both RC Demo boards indicating RF activity. The red CONFIRM LED lights up on the transmitting RC Demo board if the receiving RC Demo board is in range.

